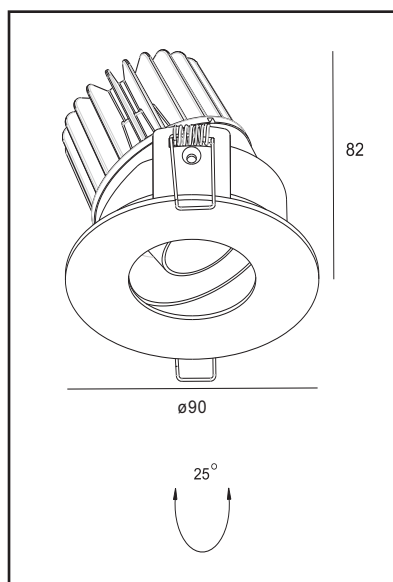


# SNOOT ADJUSTABLE EXTERIOR



## AL-DLAE-1027



Luminous Flux (lm):	500
Colour Temperature/s (K):	2700
Power Consumption (W):	10
Voltage (V):	240
Current (I):	500mA
Beam Angle (°):	15 °
Colour/Finish:	Textured Matt White + Black anti-glare baffel
Applications:	Exterior lighting, raked ceilings, alfresco areas,
Features:	IP54 exterior rating, low glare, minimal form factor. Includes remote dimmable TRIAC driver, aluminium die-cast construction.
Lamp Type:	Citizen COB
Lifespan (hrs):	35,000
Fixture Size:	90mmØ Fascia x 82mm Deep
CRI:	90
IP Rating:	54
Mounting:	Recessed with 82mm Cut Out



Phone +61 2 9098 8999  
Email [info@thelightingguild.org](mailto:info@thelightingguild.org)  
Visit [www.thelightingguild.org](http://www.thelightingguild.org)  
PO Box 6209 West Gosford NSW 2250 Australia