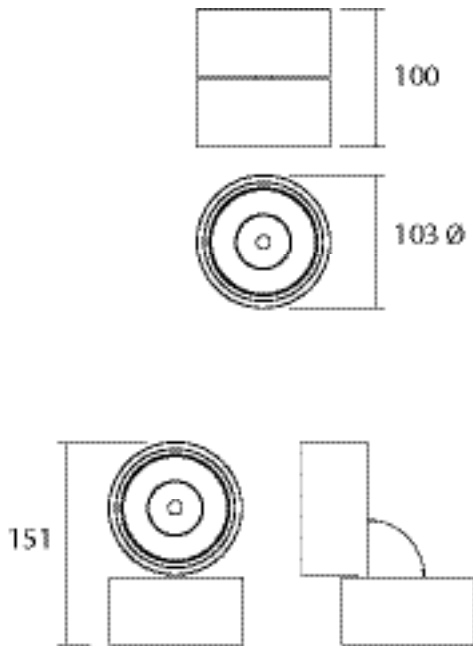


SNAP CEILING CAN



NS-CC-10



Luminous Flux (lm):	860
Colour Temperature/s (K):	3000
Power Consumption (W):	10
Voltage (V):	240
Current (I):	350
Beam Angle (°):	45°
Colour/Finish:	Textured Matt White
Applications:	Residential and Multi Residential
Features:	Integral Trailing Edge Dimming, 359° Adjustable Rotation, 90° Tilt
Lamp Type:	Bridgelux
Lifespan (hrs):	~35,000
Fixture Size:	Ø 103 x 100mm
CRI:	> 90
IP Rating:	20
Mounting:	Surface

 **the lighting guild™**

Phone +61 2 9098 8999
Email info@thelightingguild.org
Visit www.thelightingguild.org
PO Box 6209 West Gosford NSW 2250 Australia