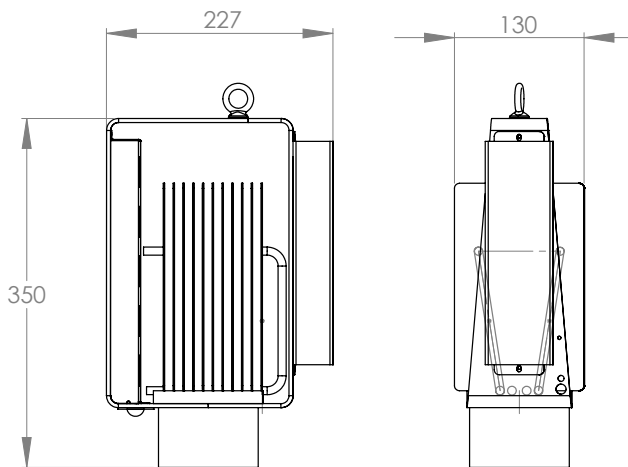


150W SHOWROOM HIGHBAY



LG-HBS-150



Luminous Flux (lm):	17,156
Colour Temperature/s (K):	4200
Power Consumption (W):	155
Voltage (V):	240
DC Drive Current (I):	~1400mA
Beam Angle (°):	70
Colour/Finish:	Satin black
Applications:	Galleries, showrooms, studios, residential warehousing.
Features:	Exceptional Colour Rendering, controlled beam spread, huge power saving potential, maintenance free, daylight harvesting including motion sensor and lux dimming, thermal overload protection
Lamp Type:	150W Citizen LED chip
Lifespan (hrs):	~100,000
Fixture Size:	415mm dia x 520mm high
CRI:	Ra>94
IP Rating:	IP56
Mounting:	Surface with SS eyelet (1m flex and plug included)

 **the lighting guild™**

Phone +61 2 9098 8999
Email info@thelightingguild.org
Visit www.thelightingguild.org
PO Box 6209 West Gosford NSW 2250 Australia