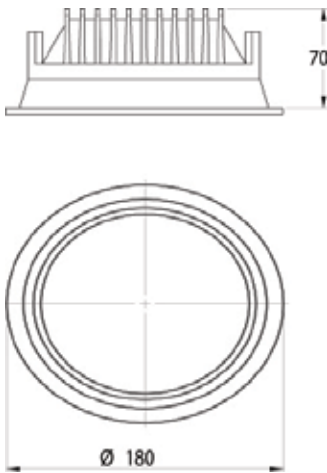


15W RECESSED DIFFUSED DOWNLIGHT



LZ-DDL-1530



Luminous Flux (lm):	1150
Colour Temperature/s (K):	3000
Power Consumption (W):	15
Voltage (V):	240
Current (I):	N/A
Beam Angle (°):	Diffused
Colour/Finish:	Matt white powdercoat
Applications:	Hotels, offices, residential, bathrooms, laundries
Features:	Glare control, Diecast aluminium body, Non dimmable remote Philips driver
Lamp Type:	Samsung SMD
Lifespan (hrs):	L70 @ 30,000
Fixture Size:	Ø 180mm x 70mm Deep
CRI:	85
IP Rating:	44
Mounting:	Recessed with Ø 170mm Cut Out

 **the lighting guild™**

Phone +61 2 9098 8999
Email info@thelightingguild.org
Visit www.thelightingguild.org
PO Box 6209 West Gosford NSW 2250 Australia