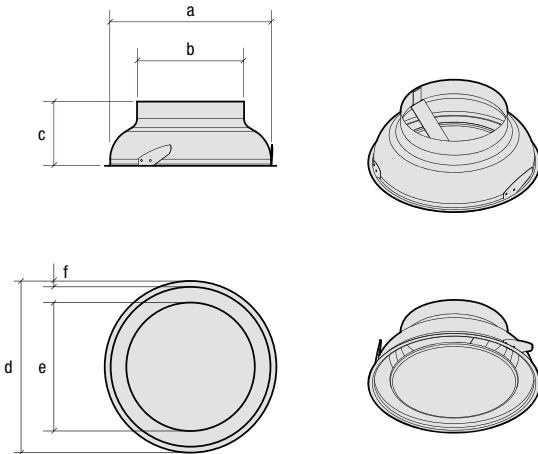


# DUCTOR 150 VENTILATION GRILL



## FD-DD-150



|                     |   |       |
|---------------------|---|-------|
| cut out hole        | a | 230mm |
| flange              | b | 150mm |
| height              | c | 90mm  |
| outside diameter    | d | 240mm |
| dust cover diameter | e | 180mm |
| trim                | f | 8mm   |



### The Ductor is a new, innovative design in mechanical ventilation.

With a focus on organic lines, the Ductor internal grill is characterised by its clean aesthetic and minimal visual impact. Manufactured in 0.7mm zinc annealed steel, the Ductor is easily customised by finishing in the same paint as the ceiling, blending in to compliment any architectural style.

Ideal for internal mechanical ventilation in bathrooms, laundries and kitchens.

#### Features

- Small flange for minimal visual impact
- Removable magnetic dust cover for easy cleaning
- Simple design, is easy to install and maintain
- Suits 150mm ducting
- Easily customised by painting with ceiling paint for exact colour match
- Australian designed and made

#### Finish options available

- Matt White Texture Powdercoat (Standard)
- Painted (Available upon request - Additional charges will apply)

#### Painting

- Best results are achieved by spray painting the Ductor with the ceiling paint. If spraying is not possible, the product should be painted with a small foam roller, sanding lightly between coats.

 **the lighting guild™**

Phone +61 2 9098 8999

Email [info@thelightingguild.org](mailto:info@thelightingguild.org)

Visit [www.thelightingguild.org](http://www.thelightingguild.org)

PO Box 6209 West Gosford NSW 2250 Australia